

FOCUS+3 C/M



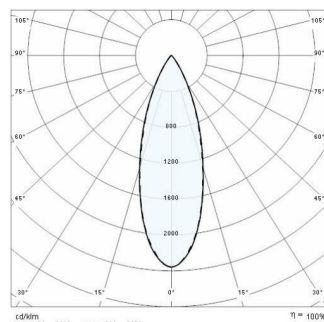
Part number	305236
Lampholder:	LED
Light Source:	LED
Wattage:	50 W
Finish:	AN-96 / Anthracite gray / Textured
Insulation class:	I
Degree of protection:	IP66
IK-J-xxIP:	IK09 10J xx7
CRI:	70
Kelvin:	4000
Power factor:	COSφ ≥ 0,9
EEL:	A2
Optic:	MEDIUM CIRCLE REFLECTOR
Optic Beam:	34°
Lightsource lumen output:	5640 lm
Luminaire lumen output:	4114 lm
L:	L70
B:	B10
Lifetime:	60000 h
Ta MIN luminaire:	-20°
Ta MAX luminaire:	30°



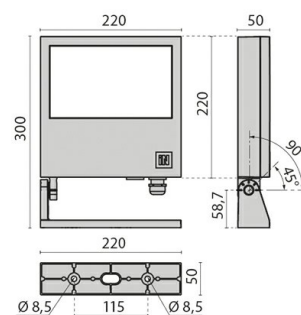
Description

- LED floodlight for indoor and outdoor lighting, comprising:
- Die-cast painted aluminium housing and trim
 - Adjustable mounting bracket made of die-cast aluminium, painted
 - Extra-clear flat tempered glass diffuser with internal screen printing
 - Circular optic
 - High power LEDs with next generation high intensity light beam
 - Silicone gasket
 - Stainless steel locking screws
 - Cable gland M20x1.5 for cables Ø 7- Ø 12 mm
 - Photometric data measure according to UNI EN 13032-4 and IES LM-79-08

Photometric data



Technical drawings



OPTIONAL ACCESSORIES

FOCUS+3



14099896
Gliding support made of painted aluminium for the installation on Ø 60 mm posts



14099696
Gliding support made of painted aluminium for the installation on Ø 90 mm posts



311043
Fixing bracket